

## Thermal Server Coffee Brewer

### Features



#### Thermal Server Coffee Brewer

- Brews 3.8 gallons (14.4 litres) of perfect coffee per hour.
- Convenient thermal servers keep coffee hot for hours.
- Thermal servers are easily transported to remote meeting rooms, breakfast bars, etc.
- Pourover model available (CW15-TS).
- Pourover feature included on automatic models.
- Internal components are constructed from stainless steel.
- Hot water faucet available.
- SplashGard® funnel deflects hot liquids away from the hand.
- Holds up to 4" cup.

#### Model CW TS with Thermal Server

(Thermal Server not included)

Dimensions: 27.6" H x 9" W x 18.5" D  
(70.1cm H x 22.9cm W x 47cm D)

For current specification sheets and other information, go to [www.bunn.com](http://www.bunn.com).

### Related Products

#### Easy Clear® EQ-17-TL

Product No. : 30200.1000

Dimensions:

12<sup>7</sup>/<sub>16</sub>" H x 2<sup>1</sup>/<sub>2</sub>" W x 3" D  
31.6 cm H x 6.35 cm W x 7.62 cm D



#### Paper Filter Pack

Product No. : 20115.0000

Packed per case: 1,000

Dimensions:

4<sup>1</sup>/<sub>4</sub>" Base x 2<sup>3</sup>/<sub>4</sub>" Sidewall  
10.8 cm Base x 6.98 cm Sidewall



#### Thermal Server-Black

Product No. : 23300.0007

Capacity: 84 oz. (2.5 L)



#### Easy Clear® ED-17-TL

Product No. : 30201.1001

Dimensions:

8<sup>1</sup>/<sub>4</sub>" H x 2<sup>5</sup>/<sub>16</sub>" Dia.  
20.95 cm H x 5.87 cm Dia.



#### Thermal Server Booster\*

Product No. : 18010.6000

Capacity: 1 Thermal Server

Shipping Weight: 2 lbs.

Dimensions: 6" H x 9<sup>1</sup>/<sub>4</sub>" W x 8<sup>1</sup>/<sub>4</sub>" D

15.2 cm H x 23.5 cm W x 21 cm D



\*To be used in conjunction with Thermal Server without base. Product No. : 23300.0010 & 23300.0006

#### Model

#### Agency Listing

CW TS



CWT TS



CWTF TS



## Dimensions & Specifications

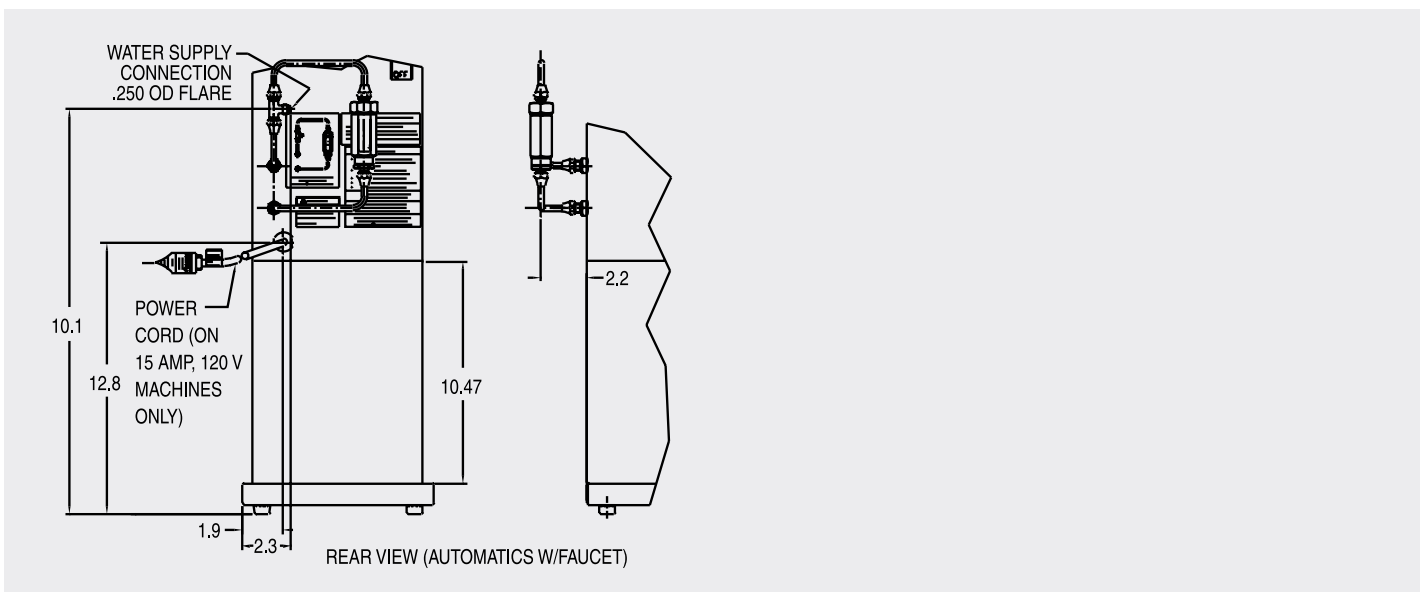
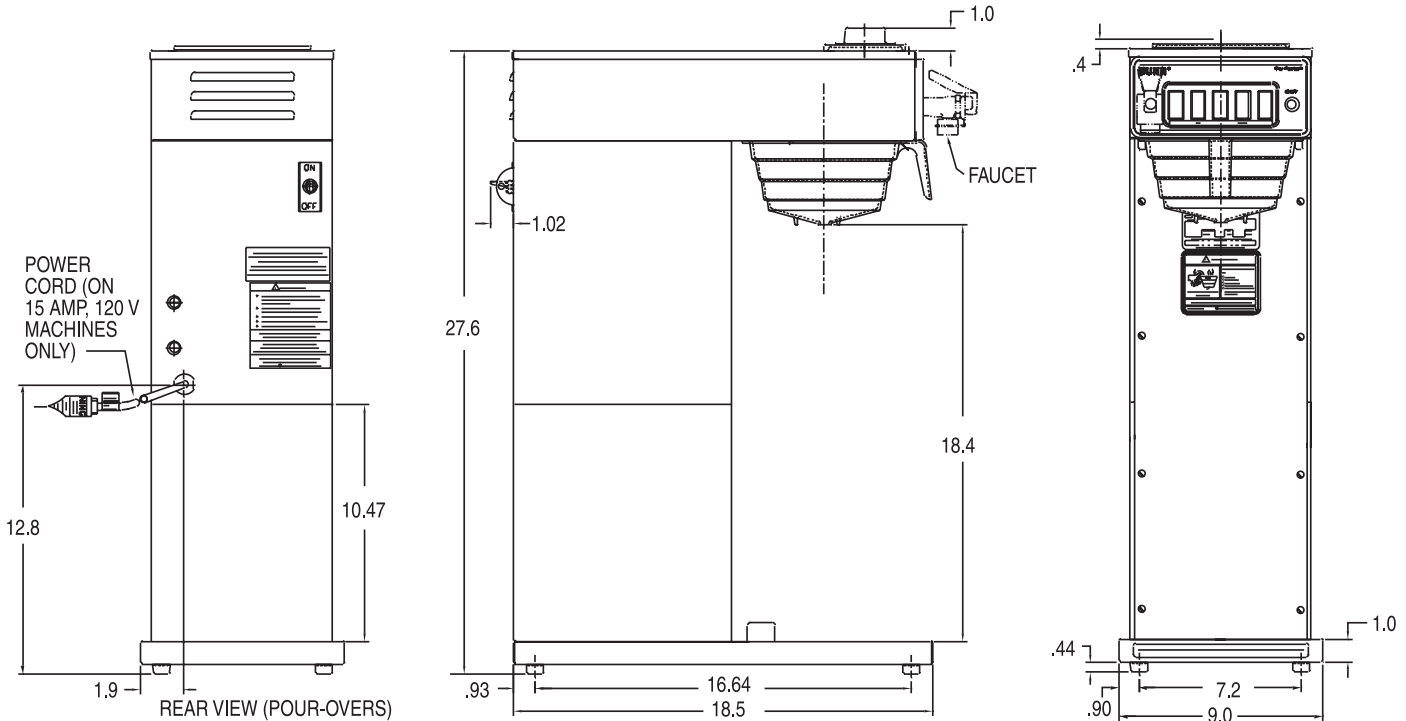
Model	Product #	Volts	Amps	Tank Heater Watts	Total Watts	Brewing Capacity	Cu. Ft.	Shipping Weight	Cord Attached
CW15-TS (Pourover)	23000.0000	120	11.4	1320	1370	3.8 gal./hr.	7.3	27 lbs.	Yes†
CWT15-TS (Automatic)	23000.0003	120	11.4	1320	1370	3.8 gal./hr.	7.3	29 lbs.	Yes†
CWTF15-TS (Automatic)*	23000.0006	120	11.4	1320	1370	3.8 gal./hr.	7.3	32 lbs.	Yes†

\*Includes faucet. †Power cord (NEMA 5-15P) 15 Amp-120V machine only.

**Brewing capacity:** based upon incoming water temp of 60°F (140°F rise) per ½ gallon brew time of 4 minutes.

Electrical: 2-wires plus ground service rated 120V, single phase, 60Hz.

Plumbing: 20-90 psi (138-621 kPa). Supplied with ¼" (6.4 mm) male flare fitting.



Bunn-O-Matic® Corporation - 1400 Stevenson Drive Springfield, Illinois 62703 • 800-637-8606 • 217-529-6601 • Fax 217-529-6644 • www.bunn.com

BUNN® practices continuous product research and improvement. We reserve the right to change specifications and product design without notice. Such revisions do not entitle the buyer to corresponding changes, improvements, additions or replacements for previously purchased equipment.

All dimensions shown in inches.