

# BUNN®

## Infusion Series® Coffee Brewer - Tall

ITEM#

PROJECT

DATE



### Model ICB-Tall with 1.5 Gal ThermoFresh® Server

(TF server sold separately)

Dimensions: 34.4"H x 10.1"W x 20.6"D  
(87.4cm H x 25.7cm W x 52.4cm D)

### Features

#### Infusion Coffee Brewer

- Brews 5.1 to 11.9 gallons (19.3 to 45 litres) of perfect coffee per hour.
- Large 3-gallon (11.36 litre) tank provides back-to-back brewing capacity at 208-240V applications.
- Dual voltage adaptable. Can operate at 120V/15amp or 208-240V/20amp.
- Three brew buttons allow for 3 separate brewing profiles. Two programmable batch switches allow full and half batch brewing.
- Includes overlay kits for customization of brewer interface.
- Easy Pulse interface allows automatic programming of pulse routine.
- BrewWISE® intelligence with pre-infusion and pulse brew for maximum flavor extraction. DBC grinder communicates with brewer through Smart Funnel®.
- Energy-saver mode reduces tank temperature during idle periods.
- Digital display in English/Spanish for easier programming and control. Advertising messages and machine status also displayed. Display capable of showing English or Metric measurements.
- Compatible with BUNNlink®.

For current specification sheets and other information, go to [www.bunn.com](http://www.bunn.com).

### Related Products

**Easy Clear® EQHP-10**  
Product No. : 39000.0004



**Easy Clear® EQHP-10L**  
Product No. : 39000.0001

**1.5 gallon ThermoFresh Server**  
Product No.: 39550.0000

**1.5 gallon Digital ThermoFresh Server**  
Product No.: 39550.0050

**1 gallon ThermoFresh Server**  
Product No.: 39500.0000

**1 gallon Digital ThermoFresh Server**  
Product No.: 39500.0050



**Single/Dual Filter Pack**  
Product No. : 20138.0000

Packed per case: 500

Dimensions:

5¼" Base x 4¼" Sidewall

13.3 cm Base x 10.8 cm Sidewall



#### Model

ICB-Tall

#### Agency Listing



Patents Apply

4/09

A3.5b

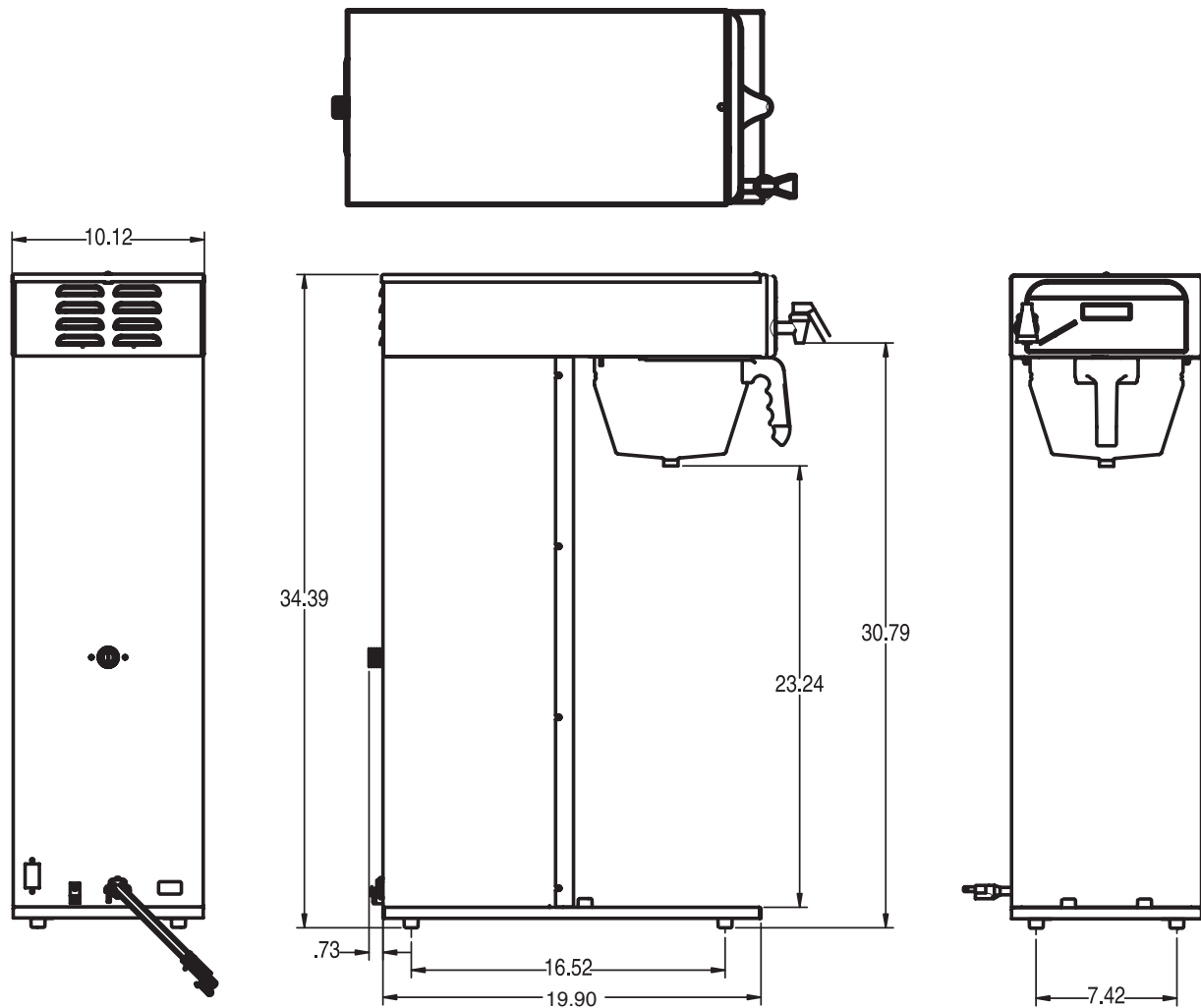
## Dimensions & Specifications

Model	Product #	Volts	Amps	Tank Heater Watts	Total Watts	Capacity	Cubic Measure	Shipping Weight	Cord Attached
ICB-Tall	36600.0005	120	14	1680	1700	5.1 gal	10.1 ft <sup>3</sup>	51 lbs	Yes*
		208	13.8	2900	2900	8.9 gal			
		240	16.8	3860	4050	11.9 gal			

\*Power cord (NEMA 5-15P) 15 Amp-120V machine only.

Electrical: 120 volt model requires 2-wires plus ground service rated 120V, single phase, 60Hz.  
An internal terminal block is configured for connection to a 3-wire plus ground.

Plumbing: 20-90 psi (138-621 kPa). Supplied with 3/8" male flare fitting. Requires minimum of .8 gpm water flow.



Bunn-O-Matic® Corporation - 1400 Stevenson Drive Springfield, Illinois 62703 • 800-637-8606 • 217-529-6601 • Fax 217-529-6644 • www.bunn.com

BUNN® practices continuous product research and improvement. We reserve the right to change specifications and product design without notice. Such revisions do not entitle the buyer to corresponding changes, improvements, additions or replacements for previously purchased equipment.

All dimensions shown in inches.

4/09 © Bunn-O-Matic Corporation